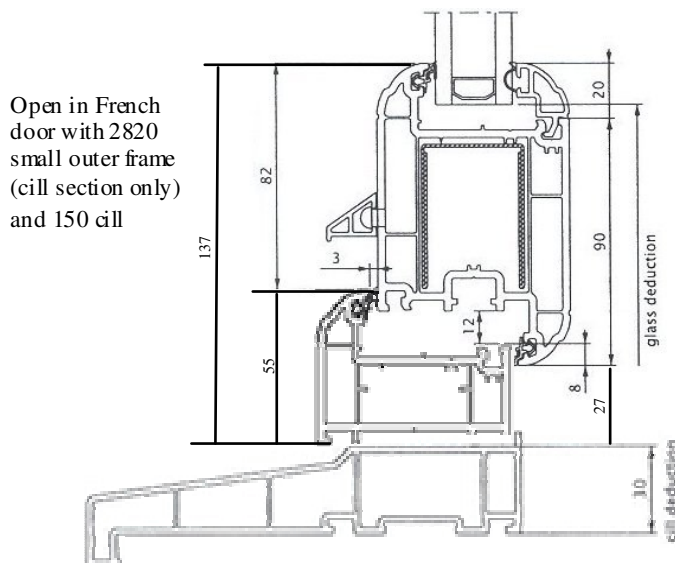


Super Fortress 70 french door – data sheet



- Standard Deceuninck 70mm profile in accordance with BS7413
- Manufactured in accordance with BS7412
- Available in White, Rosewood and Sherwood
- Standard sculpted outer frame, **2821** to head and jambs with **2820** to cill section.
- All profiles have black low sightline rolled in gasket and weather-seal, **1999**
- Internally beaded sash for both open out and in.
- **2830** open in door sash, **2831** open out door sash
- Standard 28mm scotia bead with co-extruded black gasket, **2840**
- Fully welded outer frame, sash and mid rail (mullions mechanically jointed)
- All welded joints are knife finished on all profiles
- Concealed or face drainage
- Three multi-adjustable flag hinges
- Lever/Lever handles to both doors
- Handle operated top and bottom shoot-bolt locking to both doors
- 4 rollers, 2 hook bolts, 2 anti jemmy bolts, 1 dead latch, 1 soft latch
- One piece keep with adjustable locking points

OPTIONS

- 28mm double glazed sealed units manufactured to EN1279
- Night ventilation facility (4000mm or 2x4000mm)
- Low 15mm Aluminium wheel chair threshold
- Panic bar gearing

REINFORCEMENT SPECIFICATION

- Mild galvanised steel to BS 2989
- Outer frame head and cill reinforced if >1500mm
- Outer frame jambs both fully reinforced
- Sash jambs both reinforced